

REHAU EURO-DESIGN SLIDE S920

TECHNICAL GUIDELINES

SYSTEM DESCRIPTION



REHAU EURO-DESIGN SLIDE S920

SYSTEM DESCRIPTION

1. DESIGN PRINCIPLE

The REHAU-Euroslide-Design S920 System is developed based on the Asian Markets' needs, combining geographical and regional weather, culture and lifestyle, tailor-made for wide range of usage.

Three main categories of sliding designs can be fabricated:

- Horizontal sliding windows and doors with 2 or more sliding panels.
- Horizontal sliding windows and doors with fixed glazing unit.
- Horizontal sliding windows and doors with flyscreen.

The typical designs are illustrated in the 'Detail Drawings' section.

1.1 Frame

There are three frame profiles available:

- Frame 2, with 2 running tracks (aluminium rail can be installed), profile depth 60mm.
- Frame 3, with 2 running tracks (aluminium rail can be installed) and a flyscreen track, profile depth 88mm.
- Frame 1, for fixed glazing.

The frame profiles have multi-chambers, with separate chambers for drainage and steel reinforcement. This ensures leak proof of rainwater to the reinforcement chambers assuring no corrosion of the steel. At the same time, improve the thermal and sound insulation performances.

Aluminium or stainless steel rails can be fitted onto the tracks of the frame profiles reducing friction, thus assuring smooth sliding operation.

1.2 Sash

There are two sash profiles: window sash and door sash.

Standard grooves are designed on the sashes to fit 5x6 mm silicone treated brush seal with finned, which provide optimum air, water and sound tightness.

The sash profiles are of depth of 41mm, able to glaze from 3mm single glass to maximum thickness of 21mm multi-glazing glasses.

1.3 Reinforcement

The reinforcement chambers are designed to provide optimum reinforcement to fulfill the static requirements even for large window and door elements.

The galvanized steel profiles are inserted into the PVC profiles and secured with screws at specified intervals.

1.4 Interlock

At the sashes overlap at closed position, the interlock profiles overlap each other and the brush seal ensure sealing tightness.

According to strengthening requirement, Interlock 3 aluminium profile provides a higher strength, thus meeting the strong wind pressure requirement for windows and doors for high-rise.

Interlock 4 is designed with co-extruded gasket providing high sealing performance.

1.5 Filler Pieces

The filler pieces are fitted at the top and bottom at the overlap of the sashes overlap with the following roles:

- Safety, preventing the sashes from being lifted out
- Fitted with brush seal to provide optimum entry resistance to wind and dust.
- Wide design for easy installation
- Material for long lasting and weather resistance.

1.6 Brush Seal

High quality silicone treated brush seal with finned are used to raise the performance in sound insulation, water penetration, air infiltration and prevent dust draught

2. MATERIAL

REHAU window profiles are made of high impact and weather resistant PVC in compliance to European standards. The material has proven itself over many decades in withstanding the demands of extreme climate conditions.

3. COLOUR

The profiles are generally produced in white to REHAU colour code, 159.

4. HARDWARE

Wide range of hardware can be fitted to the standard euro-groove design.

- Used with wide range of high quality rollers
- Install with simple crescent locks to high-grade multi-point locking gears.

5. FIELD OF APPLICATION

The REHAU-Euroslide-Design is suitable for application in low-rise houses, multi-storey residential and commercial buildings.

For high-rise and typhoon prone coastal regions, there are extensive supplementary profiles to be selected according to the strength under wind pressure requirements.

6. THERMAL INSULATION

With multi-chambers, precise fabrication, double sealing and together with insulating glass, thermal insulation performance can greatly improved thereby saving energy.

As glass occupies the majority of the window / door area, the effect in thermal insulation is largely dependent on the type of glass: use of low-E glass can achieve better results.

7. ACOUSTIC INSULATION

The acoustic insulation is mainly determined by the type of glazing. Thus, the use of insulating glass is recommended to obtain optimum results.

REHAU EURO-DESIGN SLIDE S920

SYSTEM DESCRIPTION

SLIDING WINDOW

For Home-owner:

1
Customize to Individual's lifestyle and habits, meeting window designs of various complexities, providing home-owners and designers a widespread design options.

2
Product quality:
Produced in accordance to Germany's quality specification to achieve smooth surface finish, accurate and consistent dimensions.

3
Use of quality solid aluminum rail for smooth and easy sliding. Durable and maintenance free.

4
Stopped recess on frame allows easy drainage of rain water and easy cleaning.

5
The filler piece is made of material for long lasting, guarantees the seal effect and it provides security by preventing the window sash from being lifted out.

6
Brush Seal
The brush seal is siliconized and finned, dual sealing, increase sealing tightness

- 8mm overlap prevent energy losses
- safe, draught-, water- and dust- proof

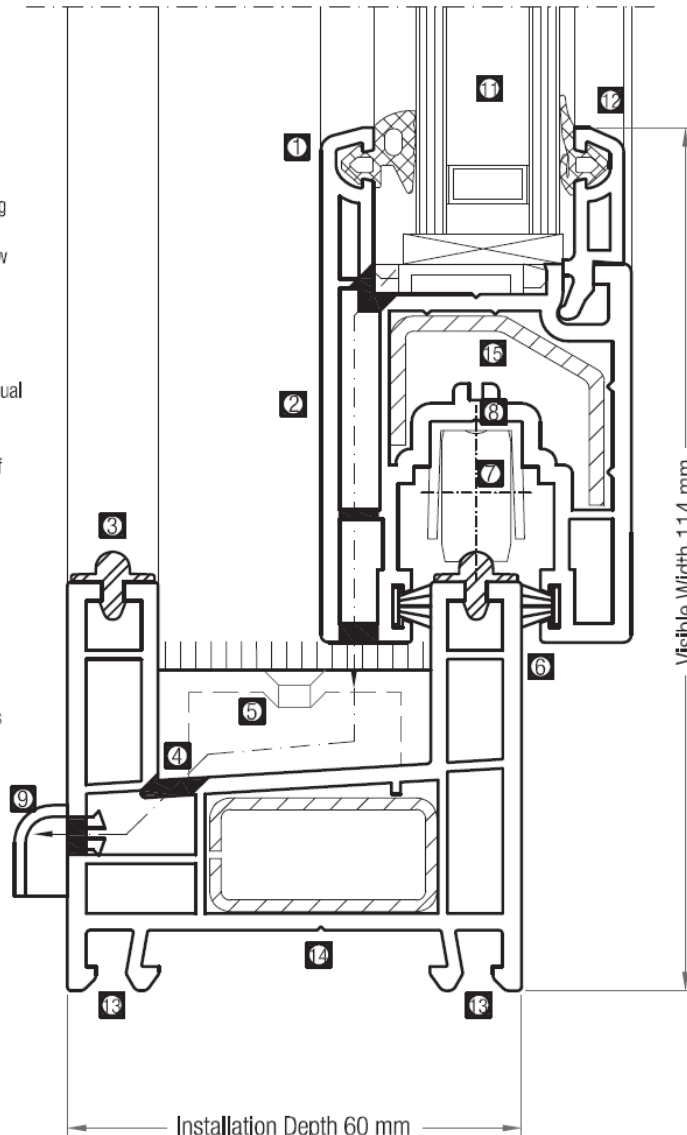
7
Rollers:
High quality nylon rollers runs quietly and smoothly over the aluminum rail

8
Hardware:
Standardised euro-groove design provides versatility and wide range of hardware selections can be utilised

9
Cleaning and Drainage

- The smooth recess surface allows easy cleaning of the frame.
- unique design drainage allows rain water to drain quickly.

10
Glass:
Insulating glass of up to 21mm thickness can be installed providing better sound and thermal insulations.



For Fabricators:

1
The smooth contour of the profiles allow easy processing on standard and CNC machines, optimizes and reduces the cost of production.

5
The 140 mm wide material filler piece is designed for easy installation.

6
Brush seal
Uses the standard brush seal of consistent sizes for easy installation.

8
Hardware:
Standardised euro-groove design provides versatility and wide range of hardware selections can be utilised

10
Glass:
Only need changing of glazing bead and sealing gasket sizes can easily enable Interchanging between 3mm to 21mm in glass thickness.

12
Glazing beads:
Unique glazing beads structure designed for easy but stable installation. Indoor installation of glazing beads ensures safe work condition.

13
Snap-on legs:
The snap-on legs on the frame profiles allow connection of:

- various window and door design combination options
- connection to a wide range of supplementary profiles
- easy installation with fixing plates

14
Profiles are designed with screws guides for easy location and installation of screws

15
Steel reinforcement

- optimised steel reinforcement cross-sections ensure capacity for high wind loading requirements
- steel reinforcement for sashes are designed to be installed without machining of slots for multi-point lock gears, or rollers.

REHAU EURO-DESIGN SLIDE S920

SYSTEM DESCRIPTION

SLIDING WINDOW

For Home-owner:

16

Integrated with aluminium flyscreen aesthetically designed to blend with the sash, slide smoothly and sturdy.

17

Flyscreen is designed with brush seal to ensure sealing for effective anti-insect protection.

18

Unique filler piece, effectively block the bottom gap to ensure effective sealing.

For Fabricators:

16

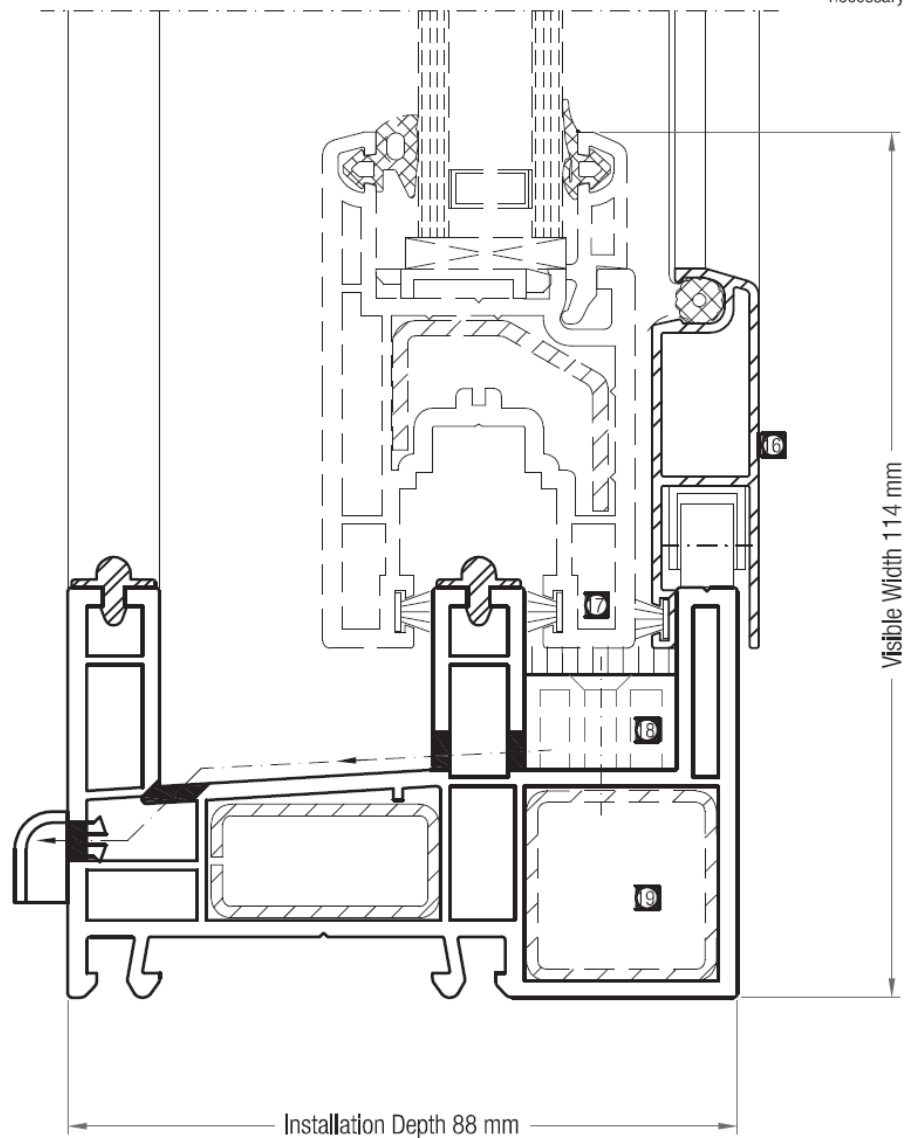
Aluminium flyscreen, strong and sturdy and easy to fabricate. Long life and low maintenance.

18

The 140 mm wide material filler piece is designed for easy installation.

19

Rectangular-design 3rd track frame for easy processing of the profile and allow installation of additional reinforcement to enhance strength whenever necessary.



REHAU EURO-DESIGN SLIDE S920

SYSTEM DESCRIPTION

SLIDING DOOR

For Home-owner:

1
Customize to individual's lifestyle and habits, meeting window designs of various complexities, providing home-owners and designers a widespread design options.

2
Product quality:
Produced in accordance to Germany's quality specification to achieve smooth surface finish, accurate and consistent dimensions.

3
Use of quality solid aluminum rail for smooth and easy sliding. Durable and maintenance free.

4
Sloped recess on frame allows easy drainage of rain water and easy cleaning.

5
The filler piece is made of material for long lasting, guarantees the seal effect, at the same time, provides security anti-lifting of the door sash.

6
Brush Seal
The brush seal is siliconized and finned, dual sealing, increase sealing tightness

- 8mm overlap prevent energy losses
- safe, draught-, water- and dust- proof

7
Rollers:
High quality nylon rollers runs quietly and smoothly over the aluminum rail. Door roller contact to sash steel reinforcement ensure direct load transfer of the weight and reduce possible deformation of the door sashes.

8
Hardware:
Standardised euro-groove design provides versatility and wide range of hardware selections can be utilised

9
Cleaning and Drainage

- The smooth recess surface allows easy cleaning of the frame.
- unique design drainage allows rain water to drain quickly.

10
Glass:
Insulating glass of up to 21mm thickness can be installed providing better sound and thermal insulations.

For Fabricators:

1
The smooth contour of the profiles allow easy processing on standard and CNC machines, optimizes and reduces the cost of production.

5
The 140 mm wide material filler piece is designed for easy installation.

6
Brush seal
Uses the standard brush seal of consistent sizes for easy installation.

8
Hardware:
Standardised euro-groove design provides versatility and wide range of hardware selections can be utilised

10
Glass:
Only need changing of glazing bead and sealing gasket sizes can easily enable interchanging between 3mm to 21mm in glass thickness.

12
Glazing beads:
Unique glazing beads structure designed for easy but stable installation. Indoor installation of glazing beads ensures safe work condition.

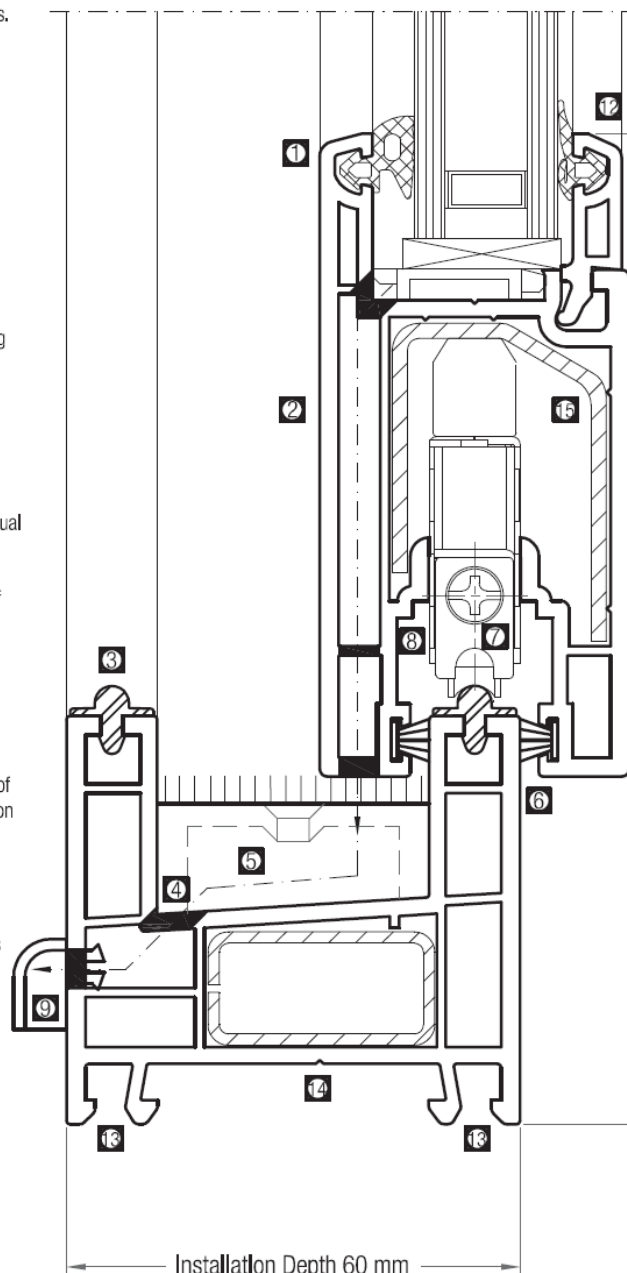
13
Snap-on legs:
The snap-on legs on the frame profiles allow connection of:

- various window and door design combination options
- connection to a wide range of supplementary profiles
- easy installation with fixing plates

14
Profiles are designed with screws guides for easy location and installation of screws

15
Steel reinforcement

- optimised steel reinforcement cross-sections ensure capacity for high wind loading requirements
- steel reinforcement for sashes are designed to be installed without machining of slots for multi-point lock gears, or rollers.



REHAU EURO-DESIGN SLIDE S920

SYSTEM DESCRIPTION

SLIDING DOOR

For Home-owner:

16

Integrated with aluminum flyscreen aesthetically designed to blend with the sash, slide smoothly and sturdy.

17

Flyscreen is designed with brush seal to ensure sealing for effective anti-insect protection

18

Unique filler piece, effectively block the bottom gap to ensure effective sealing.

For Fabricators:

16

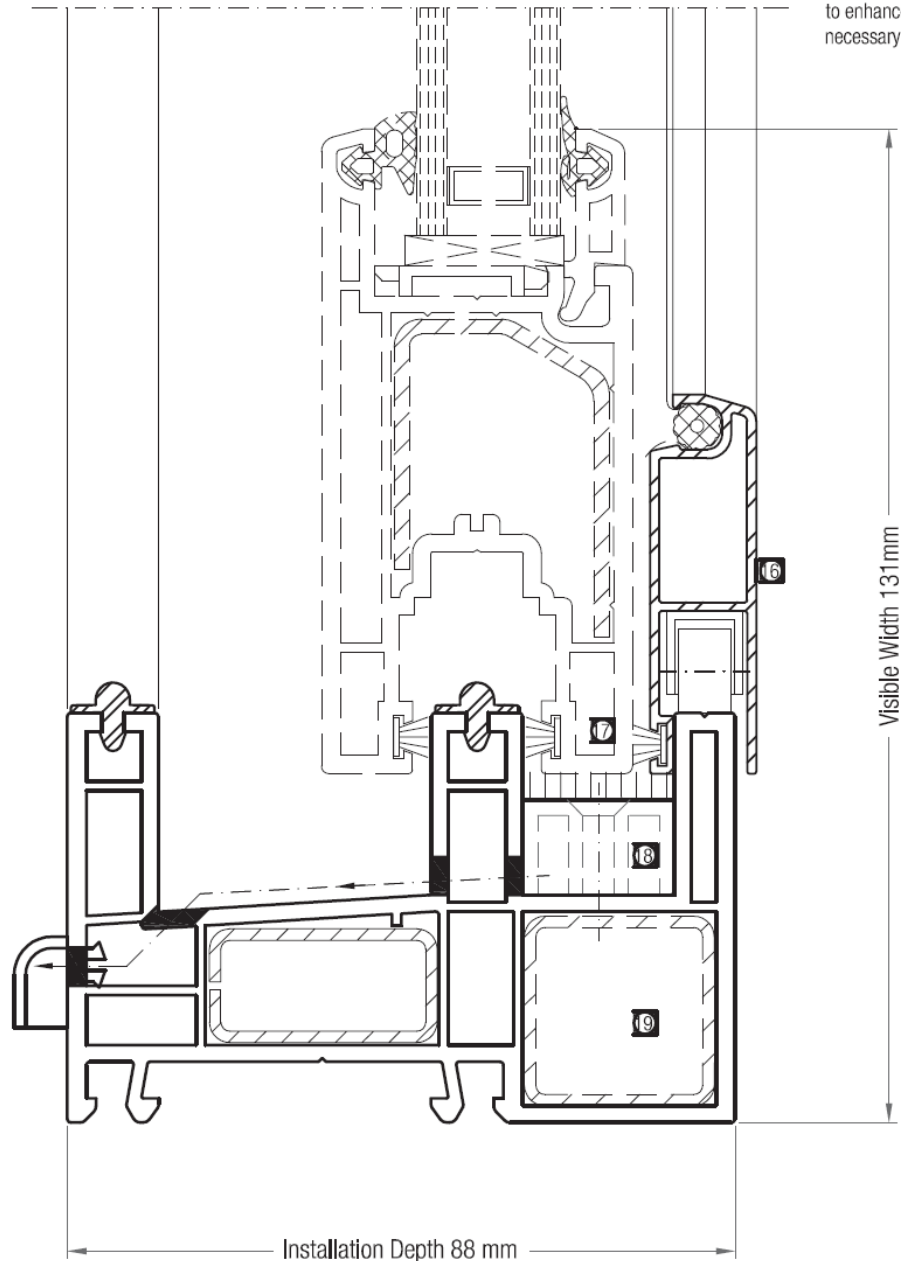
Aluminum flyscreen, strong and sturdy and easy to fabricate. Long life and low maintenance.

18

The 140 mm wide material filler piece is designed for easy installation.

19

Rectangular-design 3rd track frame for easy processing of the profile and allow installation of additional reinforcement to enhance strength whenever necessary.



REHAU EURO-DESIGN SLIDE S920

SYSTEM DESCRIPTION

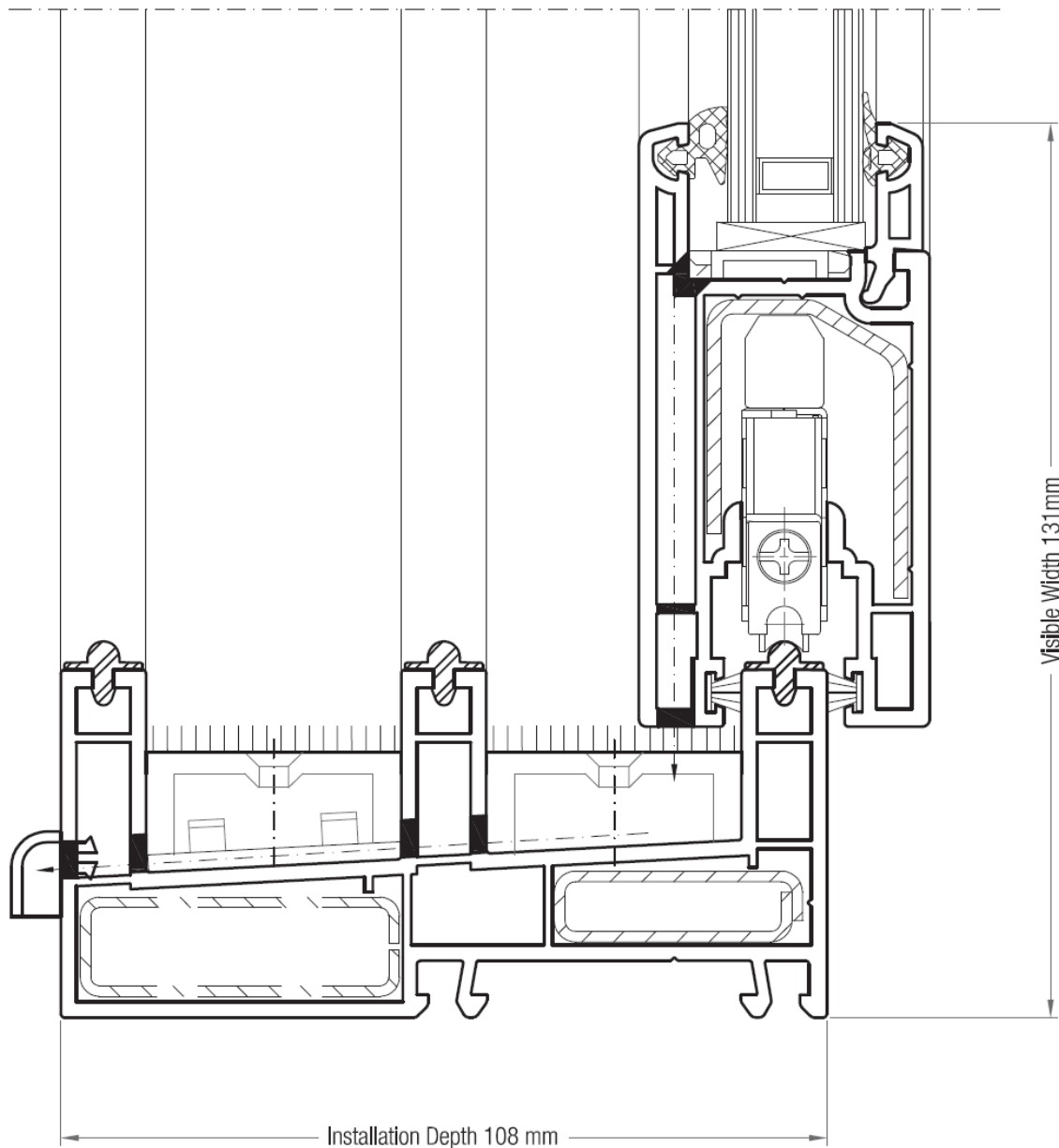
SLIDING DOOR

For Home-owner:

Enable customisation to Individual's lifestyle of 3 stackable or 6-panel sliding window and door designs. Meeting window and door designs of various complexities, providing home-owners and designers with a widespread of design options.

For Fabricators:

Smooth contour of the profiles allow easy processing on standard and CNC machines, optimizes and reduces the cost of production.



REHAU EURO-DESIGN SLIDE S920

SYSTEM DESCRIPTION

FIXED WINDOW

For Home-owner:

1
Customize to individual's lifestyle and habits, meeting window designs of various complexities, providing home-owners and designers a widespread design options.

2
Product quality:
Produced in accordance to Germany's quality specification to achieve smooth surface finish, accurate and consistent dimensions.

3
Frame visible height is 49mm to increase light transmission. Frame is designed with sloped inner-wall to enhance water drainage.

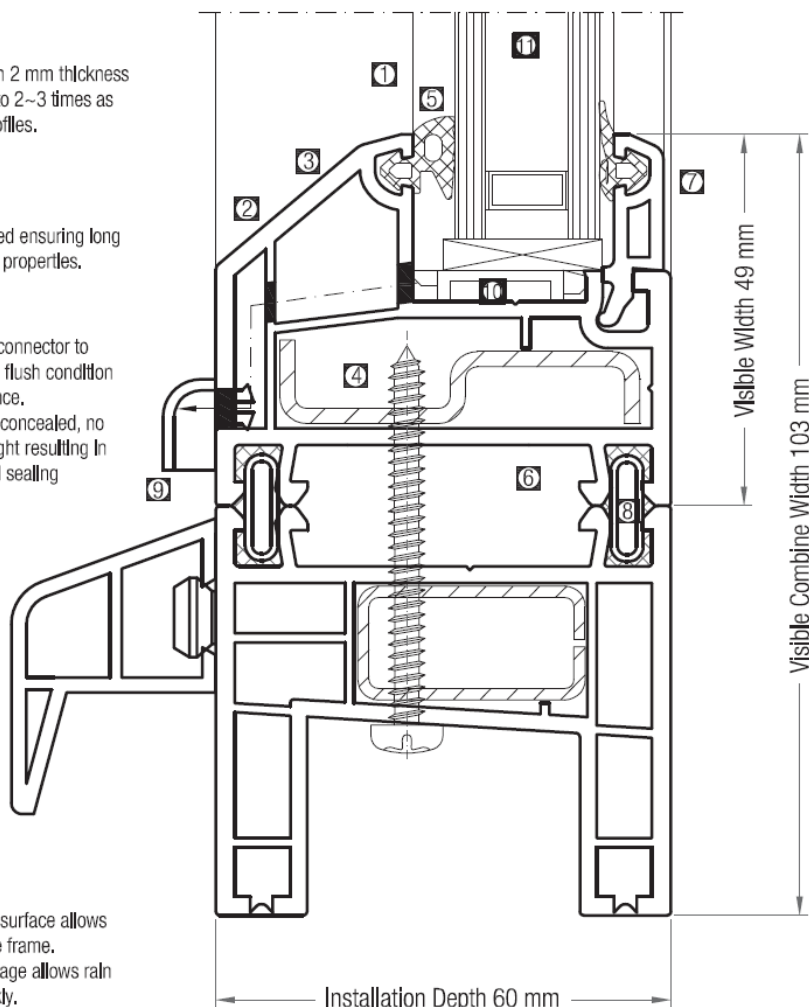
4
Steel reinforcement with 2 mm thickness increases the strength to 2~3 times as compared to normal profiles.

5
Gasket
• EPDM gaskets are used ensuring long lasting gasket sealing properties.

8
Specially design frame connector to connect outer frames in flush condition and appealing appearance. The frame connector is concealed, no direct exposure to sunlight resulting in better age-resistant and sealing performance.

9
Cleaning and Drainage
• The smooth recess surface allows easy cleaning of the frame.
• unique design drainage allows rain water to drain quickly.

11
Glass:
Insulating glass of up to 21mm thickness can be installed providing better sound and thermal insulations.



For Fabricators:

1
The smooth contour of the profiles allow easy processing on standard and CNC machines, optimizes and reduces the cost of production.

4
Steel reinforcement
optimised steel reinforcement cross-sections ensure capacity for high wind loading requirements

5
Sealing gaskets
The glazing rebate is standardised for the fixed frame and the sliding sashes, as such the glazing beads used is uniform and interchangeable.

6
Snap-on legs:
The snap-on legs on the frame profiles allow connection of:
• various window and door design combination options
• connection to a wide range of supplementary profiles
• easy installation with fixing plates

7
Glazing beads:
Unique glazing beads structure designed for easy but stable installation. Indoor installation of glazing beads ensures safe work condition.

10
Profiles are designed with screws guides for easy location and installation of screws

11
Glass:
Only need changing of glazing bead and sealing gasket sizes can easily enable interchanging between 3mm to 21mm in glass thickness.

The dimensions set out in this document are approximate dimensions. As regards tolerances, our conditions of sale exclusively apply. We therefore recommend you check if what is set out in this document is suitable for your envisaged technical solution.

We have no control over the ways in which our products are applied, used and processed and these are therefore your exclusive responsibility. Our warranty therefore relates, in every case,

to the consistent quality of our products in line with our specification according to our general conditions of sale, with which you are familiar. If despite this, the question of liability should arise, then this will be limited to all loss in respect of the value of the goods delivered by us and used by you. REHAU excludes any warranty and liability in respect of the use of any original parts, system parts and accessory parts other than those featured in our literature.